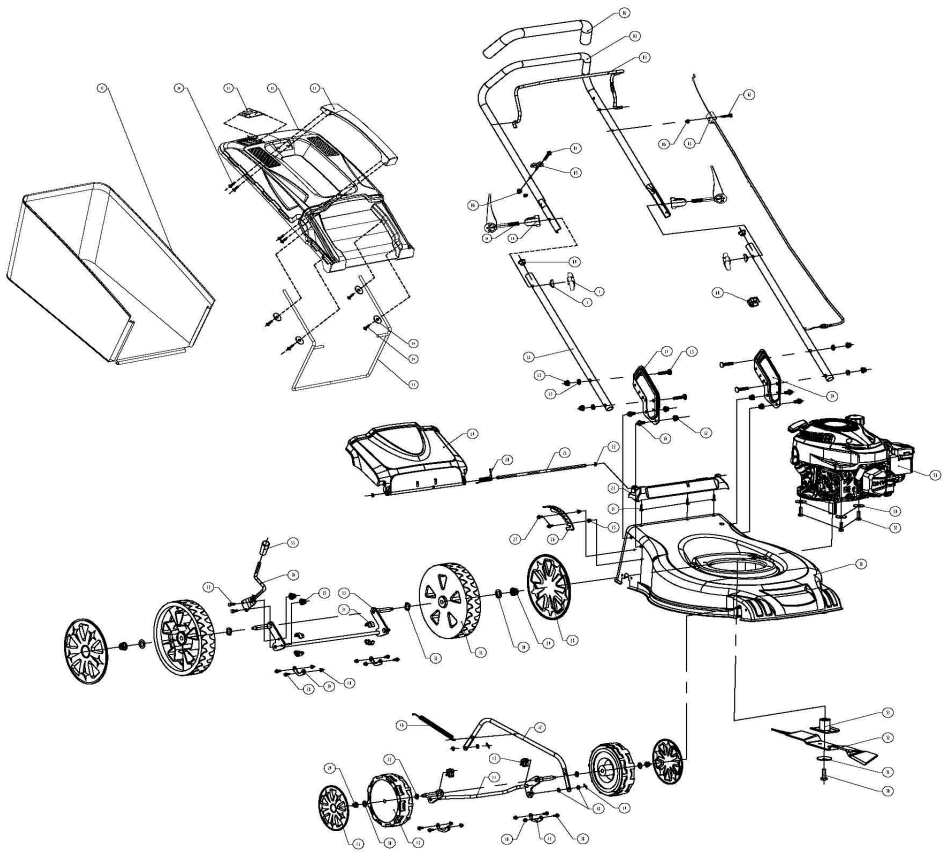


光源号 SRCS-46A爆炸图



|               |                 |           |    |           |    |    |    |             |            |
|---------------|-----------------|-----------|----|-----------|----|----|----|-------------|------------|
| 66            | 2.71.06.00100-1 | 链条传动臂     | 1  | /         |    |    |    |             |            |
| 65            | 2.71.06.00120   | 链条正盖      | 1  | /         |    |    |    | 60+5        |            |
| 64            | 2.71.06.00150   | 快拆把手      | 2  | PP+EPD    |    |    |    |             |            |
| 63            | 2.70.06.00052   | 扶手盖       | 1  | PP        |    |    |    | 橡胶          |            |
| 62            | 2.63.01.01108-1 | 汽油注油泵螺栓   | 1  | /         |    |    |    | 60+35       |            |
| 61            | 2.70.06.00013   | 扶手盖       | 1  | /         |    |    |    |             |            |
| 60            | 2.66.06.04303   | 回风盖       | 1  | PA        |    |    |    |             |            |
| 59            | 2.70.06.00004   | 扶手架固定套(左) | 1  | Q235      |    |    |    |             |            |
| 58            | 2.70.06.00001   | 底座(脚踏垫)   | 1  | ST4       |    |    |    | 11个垫圈       |            |
| 57            | 2.63.01.0223    | 螺栓        | 2  | /         |    |    |    | 60+25       |            |
| 56            | 1.02.03.01680   | 缓冲吸力片     | 1  | /         |    |    |    | 100+45      |            |
| 55            | 2.70.06.00029-1 | 脚踏盖左上固定   | 1  | PP        |    |    |    |             |            |
| 54            | 2.63.01.0458    | 脚踏垫       | 2  | /         |    |    |    | Φ6          |            |
| 53            | 2.52.01.10044   | 弹簧        | 1  | Q235      |    |    |    |             |            |
| 52            | 2.52.01.10040   | 片瓦        | 1  | 6063      |    |    |    | 15mm        |            |
| 51            | 2.70.06.00026   | 脚踏架       | 1  | /         |    |    |    | Φ10×4.5×2   |            |
| 50            | 2.63.01.0470    | 脚踏固定脚踏垫螺栓 | 1  | /         |    |    |    | 370-3000-04 |            |
| 49            | 2.63.01.01476   | 脚踏片凸缘     | 2  | /         |    |    |    | 1-11 8+11   |            |
| 48            | 2.63.01.0202    | 脚踏盖       | 4  | /         |    |    |    | Φ8          |            |
| 47            | 2.70.06.00033   | 缓冲垫       | 1  | Q235      |    |    |    |             |            |
| 46            | 2.70.06.00034   | 缓冲垫套      | 1  | 150g      |    |    |    |             |            |
| 45            | 2.70.06.00023   | 脚踏架套      | 2  | PE        |    |    |    |             |            |
| 44            | 2.70.06.00027   | 脚踏架       | 1  | Q235      |    |    |    |             |            |
| 43            | 2.70.06.00021   | 脚踏架       | 2  | Q235      |    |    |    | 1个垫圈        |            |
| 42            | 2.70.06.00022   | 闪光灯       | 2  | PP+橡胶     |    |    |    |             |            |
| 41            | 2.70.06.00035   | 胶套        | 2  | PP        |    |    |    | 1个          |            |
| 40            | 2.63.01.0458    | 脚踏垫套      | 8  | /         |    |    |    | 45          |            |
| 39            | 2.70.06.00032   | 脚踏架       | 2  | Q235      |    |    |    |             |            |
| 38            | 2.63.01.02417   | 汽油注油泵螺栓   | 8  | /         |    |    |    | 60+12       |            |
| 37            | 2.63.01.0285    | 脚踏架的脚踏垫   | 2  | /         |    |    |    | 60+18       |            |
| 36            | 2.70.06.00036   | 脚踏架罩帽     | 1  | 6063-1235 |    |    |    |             |            |
| 35            | 2.70.06.00037   | 脚踏架罩帽套    | 1  | 橡胶        |    |    |    |             |            |
| 34            | 2.70.06.00032   | 脚踏架       | 4  | PP+EPD    |    |    |    |             |            |
| 33            | 2.70.06.00028   | 脚踏架       | 1  | Q235      |    |    |    |             |            |
| 32            | 2.63.01.0426    | 脚踏架脚踏套    | 4  | /         |    |    |    | 1个+2个+1     |            |
| 31            | 2.70.06.00030   | 闪光灯       | 2  | PP        |    |    |    | 1个垫圈        |            |
| 30            | 2.63.01.0250    | 脚踏盖       | 1  | /         |    |    |    | Φ8+4.5      |            |
| 29            | 2.63.01.03112   | 六角尼龙车脚垫套  | 4  | /         |    |    |    | 10          |            |
| 28            | 2.70.06.00036   | 胶套        | 2  | PP        |    |    |    | 1个          |            |
| 27            | 2.63.01.03758   | 汽油注油泵螺栓   | 2  | /         |    |    |    | 60+12       |            |
| 26            | 2.70.06.00035   | 脚踏架罩帽套    | 1  | /         |    |    |    | 16          |            |
| 25            | 2.63.01.0429    | 脚踏注油注油泵套  | 4  | /         |    |    |    | 10          |            |
| 24            | 2.63.01.0426    | 脚踏架罩帽套    | 3  | /         |    |    |    | 57+4+16     |            |
| 23            | 2.70.06.00042   | 脚踏架套      | 1  | PP        |    |    |    |             |            |
| 22            | 2.63.01.03679   | 脚踏垫套      | 2  | /         |    |    |    | Φ6          |            |
| 21            | 2.70.06.00041   | 脚踏架套      | 1  | 150g      |    |    |    |             |            |
| 20            | 2.70.06.00035   | 脚踏架套      | 1  | 450g      |    |    |    |             |            |
| 19            | 2.70.06.00021   | 脚踏架       | 1  | PP        |    |    |    |             |            |
| 18            | 2.70.06.00030   | 脚踏架罩帽(平型) | 1  | Q235      |    |    |    |             |            |
| 17            | 2.70.06.00031   | 脚踏架(平型)   | 1  | 脚踏架套      |    |    |    |             |            |
| 16            | 2.63.01.02172   | 汽油注油泵螺栓   | 4  | /         |    |    |    | 60+12       |            |
| 15            | 2.63.01.0426    | 脚踏架罩帽套    | 4  | /         |    |    |    | 60+35       |            |
| 14            | 2.70.06.00037   | 脚踏架固定套(右) | 1  | Q235      |    |    |    |             |            |
| 13            | 2.63.01.0202    | 脚踏盖       | 4  | /         |    |    |    | Φ8          |            |
| 12            | 2.63.01.0492    | 脚踏套       | 18 | /         |    |    |    | 18          |            |
| 11            | 2.70.06.00035   | 脚踏架套      | 2  | Q235      |    |    |    |             |            |
| 10            | 2.71.06.00101   | 脚踏把手底座    | 2  | 尼龙        |    |    |    |             |            |
| 9             | 2.66.11.00037   | 脚踏把手      | 2  | 橡胶        |    |    |    |             |            |
| 8             | 2.70.06.00038   | 脚踏架罩帽     | 2  | PE        |    |    |    |             |            |
| 7             | 2.71.06.00105   | 脚踏把手套     | 2  | PP        |    |    |    |             |            |
| 6             | 2.63.01.03768   | 六角尼龙车脚垫套  | 2  | /         |    |    |    | 16          |            |
| 5             | 2.70.06.00021   | 脚踏罩脚踏套    | 1  | Q235      |    |    |    |             |            |
| 4             | 2.63.01.03758   | 汽油注油泵螺栓   | 1  | /         |    |    |    | 60+38       |            |
| 3             | 2.70.06.00039   | 脚踏架套      | 1  | Q235      |    |    |    |             |            |
| 2             | 2.70.06.00034   | 脚踏架       | 1  | Q235      |    |    |    |             |            |
| 1             | 2.70.06.00033   | 脚踏架套      | 1  | 丁腈橡胶      |    |    |    |             |            |
| 序号            | 代号              | 名称        | 数量 | 材料        |    |    |    |             | 物料清单<br>变更 |
| SRCS-46A      |                 |           |    |           |    |    |    |             |            |
| 重庆鑫源泰科技股份有限公司 |                 |           |    |           |    |    |    |             |            |
| 备注            | 材料              | 名称        | 数量 | 规格        | 单位 | 比例 | 比例 |             | 比例         |
|               | 材料              | 名称        | 数量 | 规格        | 单位 | 比例 | 比例 |             | 比例         |
|               | 材料              | 名称        | 数量 | 规格        | 单位 | 比例 | 比例 |             | 比例         |
| SRCS-46A爆炸图   |                 |           |    |           |    |    |    |             |            |

图底图号  
底图号  
签字  
日期

---

| No | Part code        | English name                  | Qty/Set |
|----|------------------|-------------------------------|---------|
| 66 | 2.70.04.000100-1 | grass catcher full<br>warning | 1       |

|    |                  |                                    |   |
|----|------------------|------------------------------------|---|
| 65 | 2.70.04.000260   | grass catcher cover                | 1 |
| 64 | 2.70.04.000106   | fast lock knob                     | 2 |
| 63 | 2.70.04.000043   | mulching plug                      | 1 |
| 62 | 2.63.01.00186-1  | hexagon flange bolt                | 1 |
| 61 | 2.70.04.000018   | Switch wire                        | 1 |
| 60 | 2.06.04.063400   | Wire clip                          | 1 |
| 59 | 2.70.04.000016   | handle bar fixing seat(<br>left)   | 1 |
| 58 | 2.70.04.000008   | Deck                               | 1 |
| 57 | 2.63.01.00225    | Bolt                               | 3 |
| 56 | 1.09.03.016800   | Engine                             | 1 |
| 55 | 2.70.04.000099-1 | grass catcher cover<br>lift handle | 1 |
| 54 | 2.63.01.04156    | washer                             | 2 |
| 53 | 2.12.01.100248   | Blade seat                         | 1 |
| 52 | 2.12.01.1003600  | Blade                              | 1 |
| 51 | 2.70.04.000026   | butterfly washer                   | 1 |
| 50 | 2.63.01.04270    | Imperial thread<br>hexagon bolt    | 1 |
| 49 | 2.63.01.02476    | B cotter                           | 2 |
| 48 | 2.63.01.02093    | flat washer                        | 4 |
| 47 | 2.70.04.000033   | Connection rod                     | 1 |
| 46 | 2.70.04.000034   | Connection rod spring              | 1 |
| 45 | 2.70.04.000029   | wheel axle sleeve                  | 2 |
| 44 | 2.70.04.000027   | front wheel axle                   | 1 |
| 43 | 2.70.04.000031   | fixing plate                       | 2 |
| 42 | 2.70.04.000082   | walking wheel                      | 2 |
| 41 | 2.70.04.000085   | wheel cover                        | 2 |
| 40 | 2.63.01.01484    | air cleaner nut                    | 8 |

|    |                |  |   |
|----|----------------|--|---|
| 39 | 2.70.04.000032 | fixing plate                               | 2 |
| 38 | 2.63.01.02417  | hexagon flange bolt                        | 8 |
| 37 | 2.63.01.02885  | Hexagon socket screws with flat round head | 2 |
| 36 | 2.70.04.000036 | shift adjustment rod                       | 1 |
| 35 | 2.70.04.000037 | shift adjustment rod sheath                | 1 |
| 34 | 2.70.04.000030 | wheel axle sleeve                          | 4 |
| 33 | 2.70.04.000028 | rear wheel axle                            | 1 |
| 32 | 2.63.01.04264  | wave type spring washer                    | 4 |
| 31 | 2.70.04.000083 | walking wheel                              | 2 |
| 30 | 2.63.01.02504  | flat washer                                | 7 |
| 29 | 2.63.01.02112  | hexagon nylon self lock nut                | 4 |
| 28 | 2.70.04.000086 | wheel cover                                | 2 |
| 27 | 2.63.01.01756  | hexagon flange bolt                        | 2 |
| 26 | 2.70.04.000035 | shift adjustment fixing plate              | 1 |
| 25 | 2.63.01.00291  | hexagon flange nut                         | 4 |
| 24 | 2.63.01.04268  | crossed tapping screw                      | 3 |
| 23 | 2.70.04.000042 | rear cover base support                    | 1 |
| 22 | 2.63.01.03679  | split washer                               | 2 |
| 21 | 2.70.04.000041 | rear cover shaft                           | 1 |

|    |                |                               |    |
|----|----------------|-------------------------------|----|
| 20 | 2.70.04.000025 | rear cover torsional spring   | 1  |
| 19 | 2.70.04.000023 | rear cover                    | 1  |
| 18 | 2.70.04.000101 | grass catcher frame           | 1  |
| 17 | 2.70.04.000101 | grass catcher upper bag       | 1  |
| 16 | 2.63.01.02772  | hexagon flange bolt           | 4  |
| 15 | 2.63.01.04261  | Bolt                          | 4  |
| 14 | 2.70.04.000017 | handle bar fixing seat(right) | 1  |
| 13 | 2.63.01.02093  | flat washer                   | 4  |
| 12 | 2.63.01.01492  | flywheel nut                  | 10 |
| 11 | 2.70.04.000015 | middle handlebar              | 2  |
| 10 | 2.70.04.000107 | fast lock knob cushion block  | 2  |
| 9  | 2.66.17.000037 | bumper cap                    | 2  |
| 8  | 2.70.04.000089 | insulation plate2             | 2  |
| 7  | 2.70.04.000105 | triangle knob                 | 2  |
| 6  | 2.63.01.02760  | hexagon nut                   | 2  |
| 5  | 2.70.04.000020 | starter hook                  | 1  |
| 4  | 2.63.01.01934  | starter hook                  | 1  |
| 3  | 2.70.04.000019 | hexagon flange bolt           | 1  |
| 2  | 2.70.04.000014 | switch lever                  | 1  |
|    | 2.70.04.000013 | handlebar sleeve              | 1  |

+